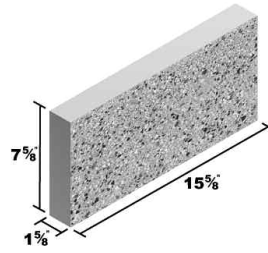
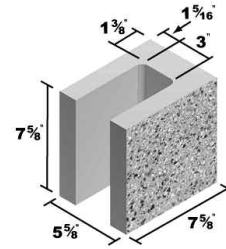


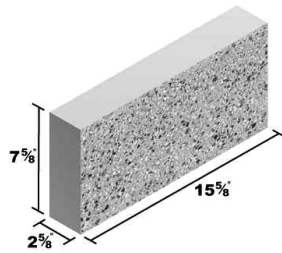
2x8x16 Solid



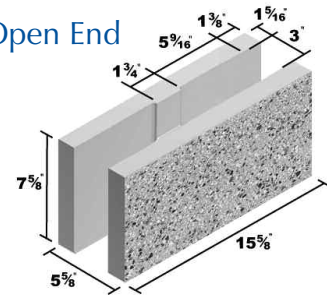
6x8x8 Lintel



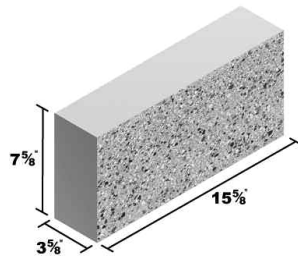
3x8x16 Solid



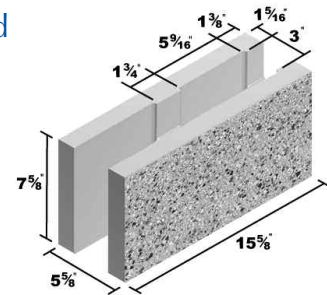
6x8x16 Double Open End Bond Beam



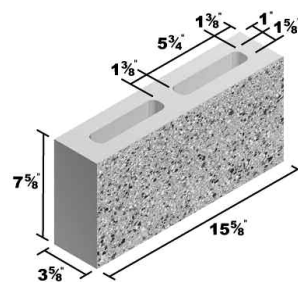
4x8x16 Solid



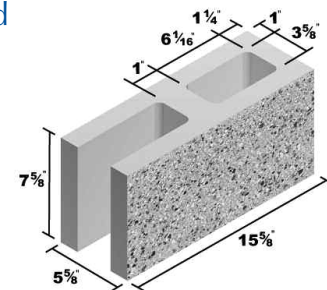
6x8x16 Open End Bond Beam



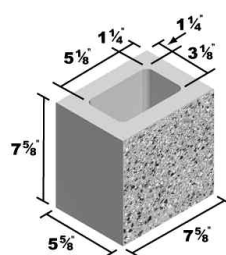
4x8x16 Standard



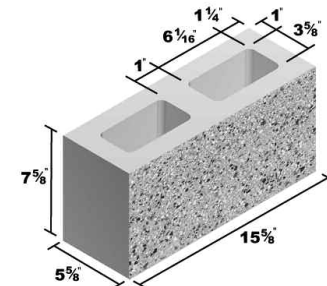
6x8x16 Open End Standard



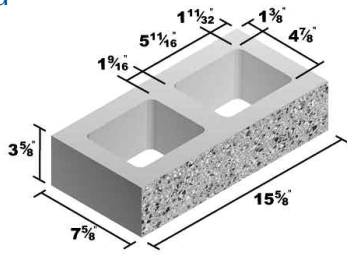
6x8x8 Half



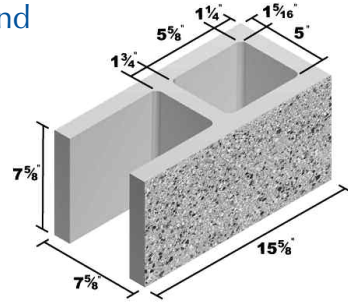
6x8x16 Standard



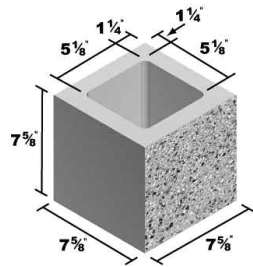
8x4x16 Standard



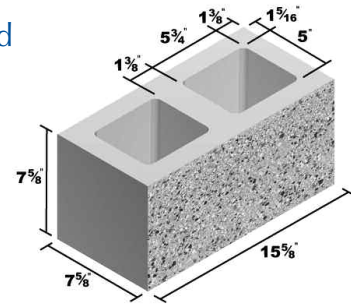
8x8x16 Open End Standard



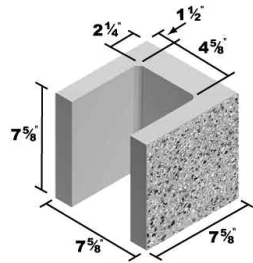
8x8x8 Half



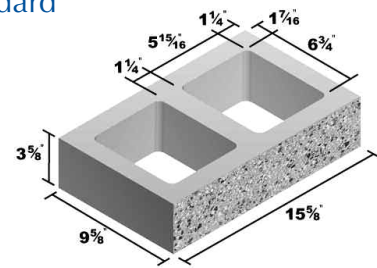
8x8x16 Standard



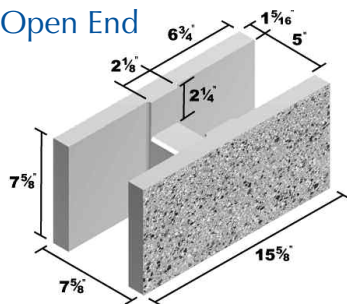
8x8x8 Lintel



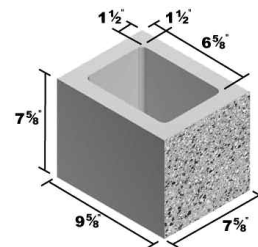
10x4x16 Standard



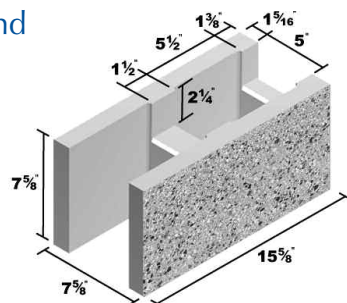
8x8x16 Double Open End Bond Beam



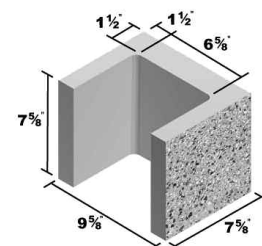
10x8x8 Half



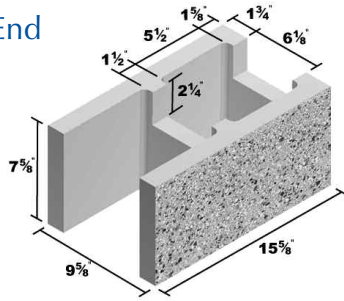
8x8x16 Open End Bond Beam



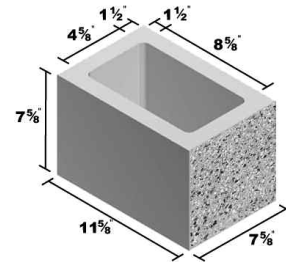
10x8x8 Lintel



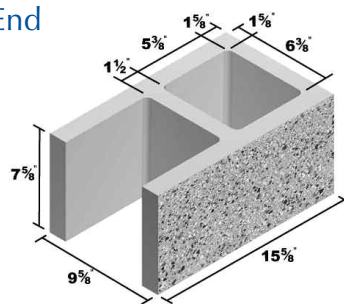
10x8x16 Open End Bond Beam



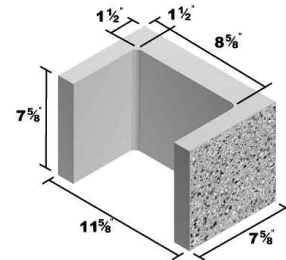
12x8x8 Half



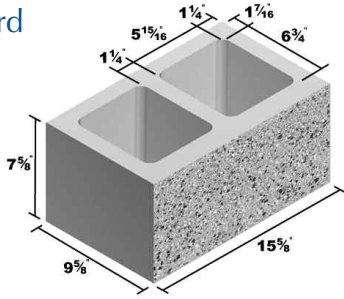
10x8x16 Open End Standard



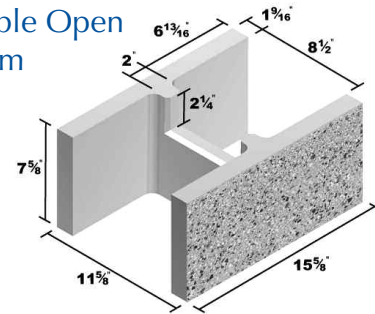
12x8x8 Lintel



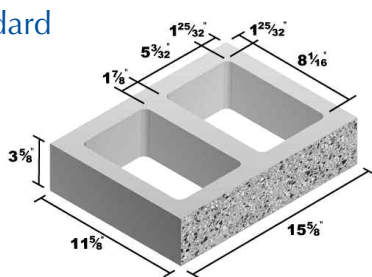
10x8x16 Standard



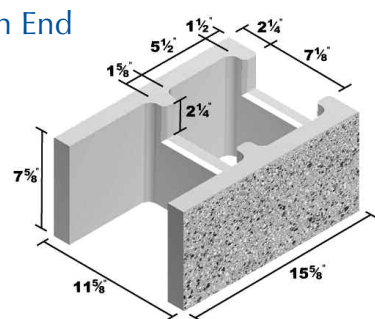
12x8x16 Double Open End Bond Beam



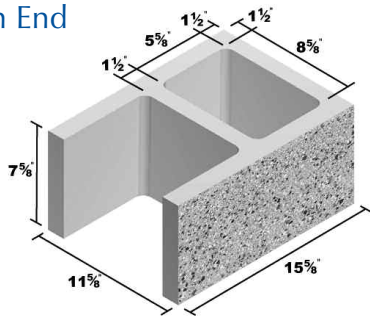
12x4x16 Standard



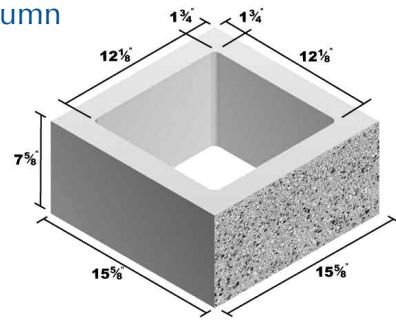
12x8x16 Open End Bond Beam



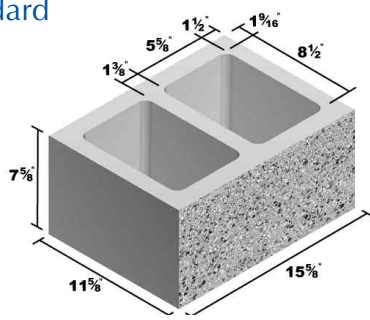
12x8x16 Open End Standard



16x8x16 Column



12x8x16 Standard



16x8x16 Lintel

