



Product Data Sheet

PRODUCT NAME

ML (mortarless) dry stack Concrete Masonry Units.
For Fences, Sound Walls and Retaining Walls.
Walls are fully grouted.

MANUFACTURER

Basalite Concrete Products, LLC
3299 International Place
Dupont, WA 98327-7707
P. (253) 964-5000
F. (253) 964-5005
www.basalite.com

PART 1 - GENERAL

SUBMITTAL

Submit color samples for selection from manufacturer's offering.
Submit product data sheet, certifications, and sample(s) of each color specified.

QUALITY ASSURANCE

Certifications: Concrete blocks for finishing shall conform to ASTM C90-12B.

Units may contain pre-consumer and post-consumer recycled content. Contact your Basalite Architectural representative for details.

Basalite products offer high thermal mass properties, regional materials and low life-cycle costs, mold resistance and will last the life of the building. No VOC's. Available in a wide color selection. In addition, custom colors can be provided. Units are ideal for exterior applications. The structural integrity of these units results in a one-step, single-trade installation process.

Fire Resistance: Define hourly ratings required by NCMA TEK Notes, available at www.ncma.org.

Field Constructed Mock-Ups:
Construct a sample panel, no less

than 4' x 4', of each color and size units to be used in the project.

A full size unit is preferred to illustrate color and texture for approval. Manufacturer requires a sample panel be installed at the jobsite prior to installation of any Basalite product. This panel will represent both the quality and the color range of the product and the workmanship to be expected for the project. Either the owner or architect for the project must approve the panel.

DELIVERY, STORAGE AND HANDLING

Basalite CMU (concrete masonry units) shall be delivered to the jobsite. Store pallets in single stacks on level ground and cover with waterproof covering (e.g., tarpaulins) to protect the blocks from inclement weather. Handle blocks carefully to avoid breakage and damage to the finished surfaces.

PROJECT/SITE CONDITIONS

Protection of Work: Cover walls each day after installation to keep open walls protected and dry. After units are installed, they should be protected from damage by other trades performing operations that can stain or otherwise damage the finished surfaces by covering walls with plastic. Corners should be protected from damage after installation.

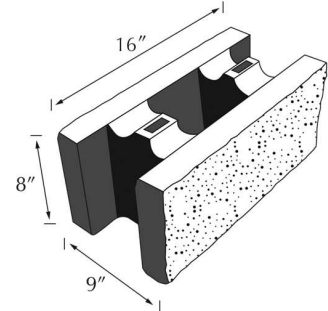
PART 2 - PRODUCTS

PRODUCT NAME

ML (mortarless) Concrete Masonry Units

MANUFACTURER

Basalite Concrete Products, LLC
3299 International Place
Dupont, WA 98327-7707
P. (253) 964-5000
F. (253) 964-5005
www.basalite.com



RELATED MATERIALS

Colored matching or contrasting mortar is available from Basalite. Consult the manufacturer at www.basalite.com for mortar type, colors available, and specifications.

SIZES AND SHAPES

- Nominal , 9" wide by 16" long units.
- Actual 8" high units
- Half units and half-high units available
- 10" standard (mortar required) column units available.
- High-strength units for special structural requirements available.

MASONRY CLEANERS

Carefully follow manufacturer's instructions, use Custom Masonry Cleaner by PROSOCO. Do not high pressure power-wash. Light sand blast method acceptable. Follow all safety and environmental regulations. Sample cleaning on test panel recommended for final approval of the best method for that texture.



PART 3 - EXECUTION

LAYING MASONRY WALLS

Draw blocks from more than one pallet at a time during installation. Lay units using the best concrete masonry practices. Install only quality units; reject all defective units as defined by ASTM C90.

Complete masonry construction using procedures and workmanship consistent with the best masonry practices.

Cutting: Make all unit cuts, including those for bonding, holes, and boxes, etc., with motor-driven masonry saws, using either an abrasive or diamond blade. Cut neatly and locate for best appearance.

INSTALLATION

Dry stack units. No bed or head mortar joint required.

Install per approved Structural Engineering.

Fully grout walls.

INSPECTION

The textured faces shall conform to the requirements of ASTM C90 when viewed from a distance of

twenty (20) feet to the wall with normal lighting.

CLEANING

Keep walls clean daily during installation using brushes. Do not allow excess mortar lumps or smears to harden on the finished surfaces. Harsh cleaning methods after walls have been erected may mark the surface of the blocks.

FINAL CLEANDOWN

Clean the completed walls with PROSOCO Custom Masonry Cleaner strictly following the manufacturer's instructions – including thorough rinsing. Do not high-pressure power wash. High-pressure power washing may cause efflorescence. (Maximum psi is 50.)

Failure to follow manufacturer's instructions can result in permanent damage to the finished faces.

MAINTENANCE

Basalite Split Face concrete masonry units, properly installed and cleaned, need virtually no maintenance other than routine cleaning. For tough stains, contact manufacturer for specific cleaning recommendations.

LIMITATIONS

- The facing is not intended for use as an impervious surface.
- Integral water repellents and or Concrete Masonry Sealers are strongly recommended with Basalite Concrete masonry units.

LIMITED PRODUCT WARRANTY

The manufacturer warrants that this product shall be of merchantable quality when used or applied in accordance with the manufacturer's instructions. This product is not warranted as suitable for any purpose other than the general purpose for which it is intended. This warranty runs for one (1) year from the date the product was purchased. ANY IMPLIED WARRANTY OF MERCHANTABILITY OR FITNESS FOR A PARTICULAR PURPOSE ON THIS PRODUCT IS LIMITED TO THE DURATION OF THIS WARRANTY. Liability under this warranty is limited to replacement of defective product or, at the manufacturer's option, refund of the purchase price. CONSEQUENTIAL AND INCIDENTAL DAMAGES ARE NOT RECOVERABLE UNDER THIS WARRANTY