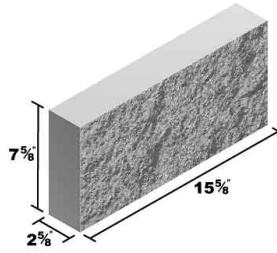
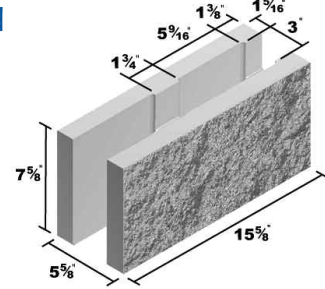


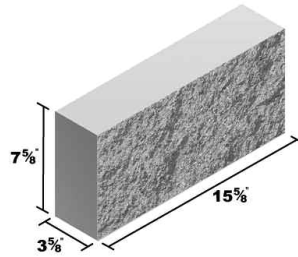
3x8x16 Solid



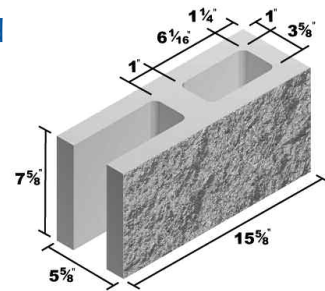
6x8x16 Open End Bond Beam



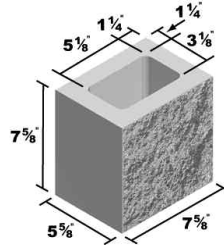
4x8x16 Solid



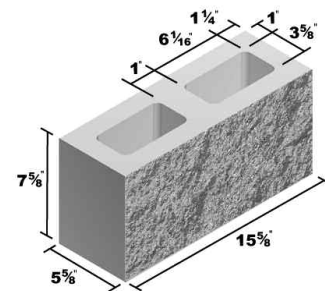
6x8x16 Open End Standard



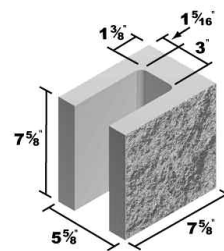
6x8x8 Half



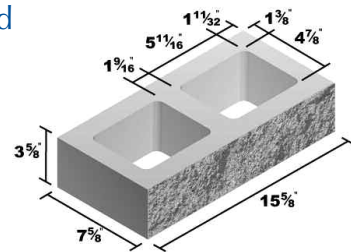
6x8x16 Standard



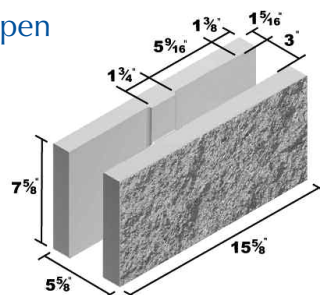
6x8x8 Lintel



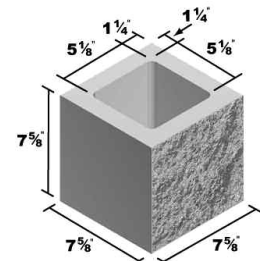
8x4x16 Standard



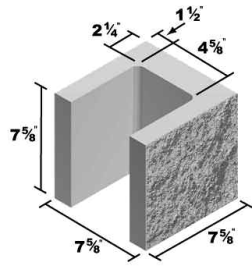
6x8x16 Double Open End Bond Beam



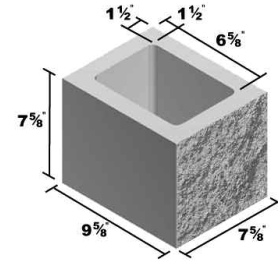
8x8x8 Half



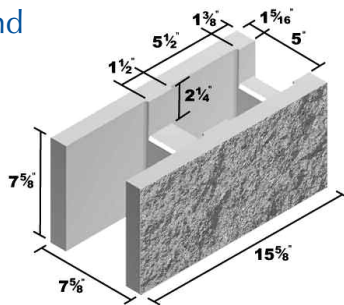
8x8x8 Lintel



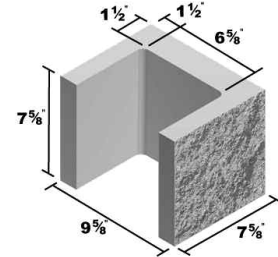
10x8x8 Half



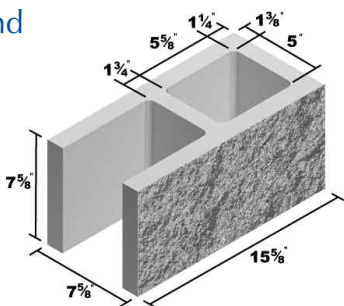
8x8x16 Open End Bond Beam



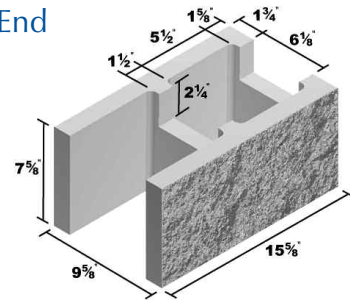
10x8x8 Lintel



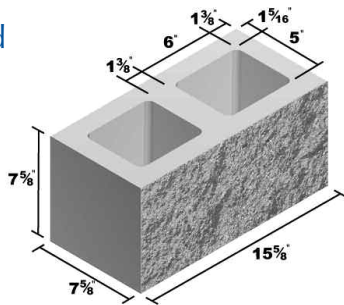
8x8x16 Open End Standard



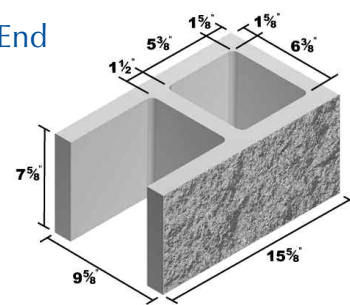
10x8x16 Open End Bond Beam



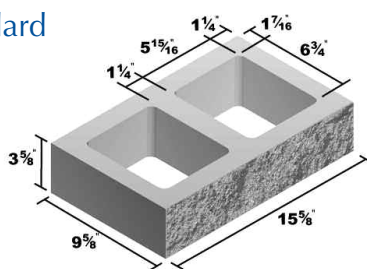
8x8x16 Standard



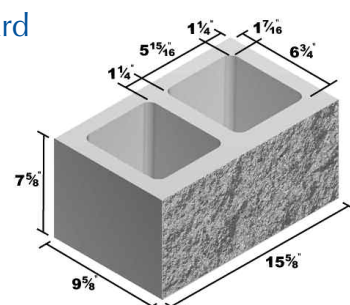
10x8x16 Open End Standard



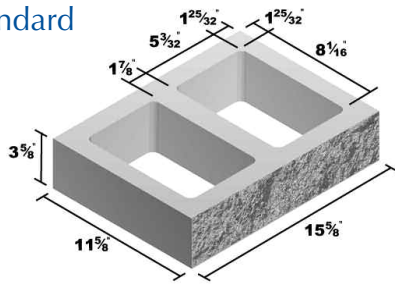
10x4x16 Standard



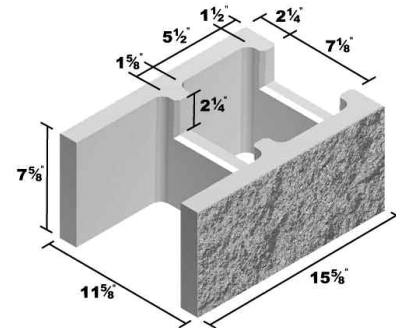
10x8x16 Standard



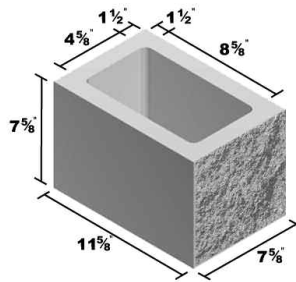
12x4x16 Standard



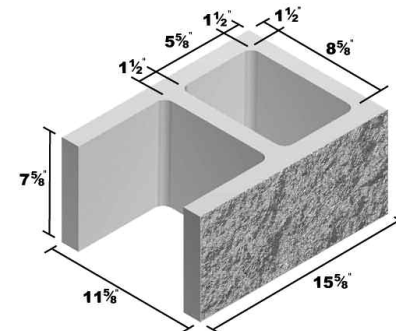
12x8x16 Open End Bond Beam



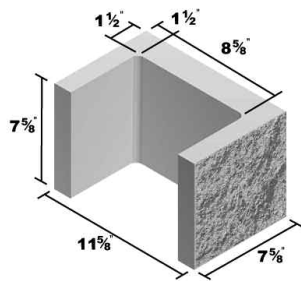
12x8x8 Half



12x8x16 Open End Standard



12x8x8 Lintel



12x8x16 Standard

